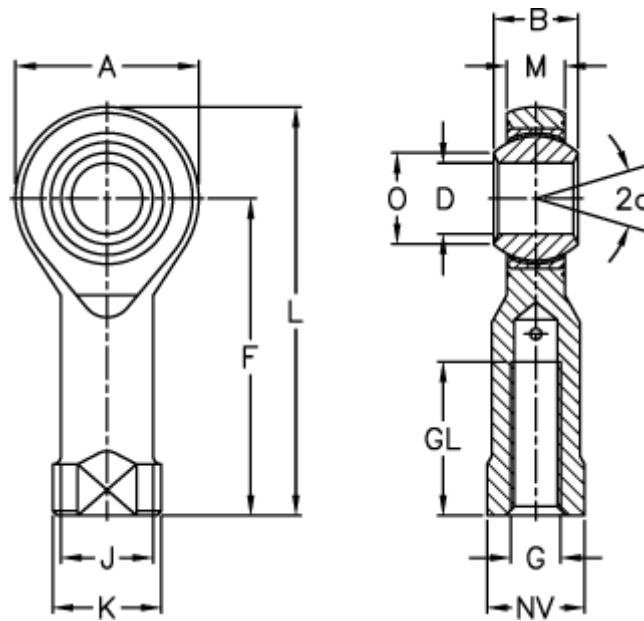


Article number: 03011008

Description: Fluro Rod End GIXSW 8
Zinc Plated

Measures



A	= 24	J	= 12.5	Weight (g) = 46
a (degrees)	= 14	K	= 16	
B	= 12	L	= 48	
D	= 8	M	= 9	
Dynamic load C (kN)	= 16.7	NV	= 13	
F	= 36	O	= 10.4	
G	= M8	Permissible rpm	= 420	
GL	= 16	Static load C0 (kN)	= 25.5	